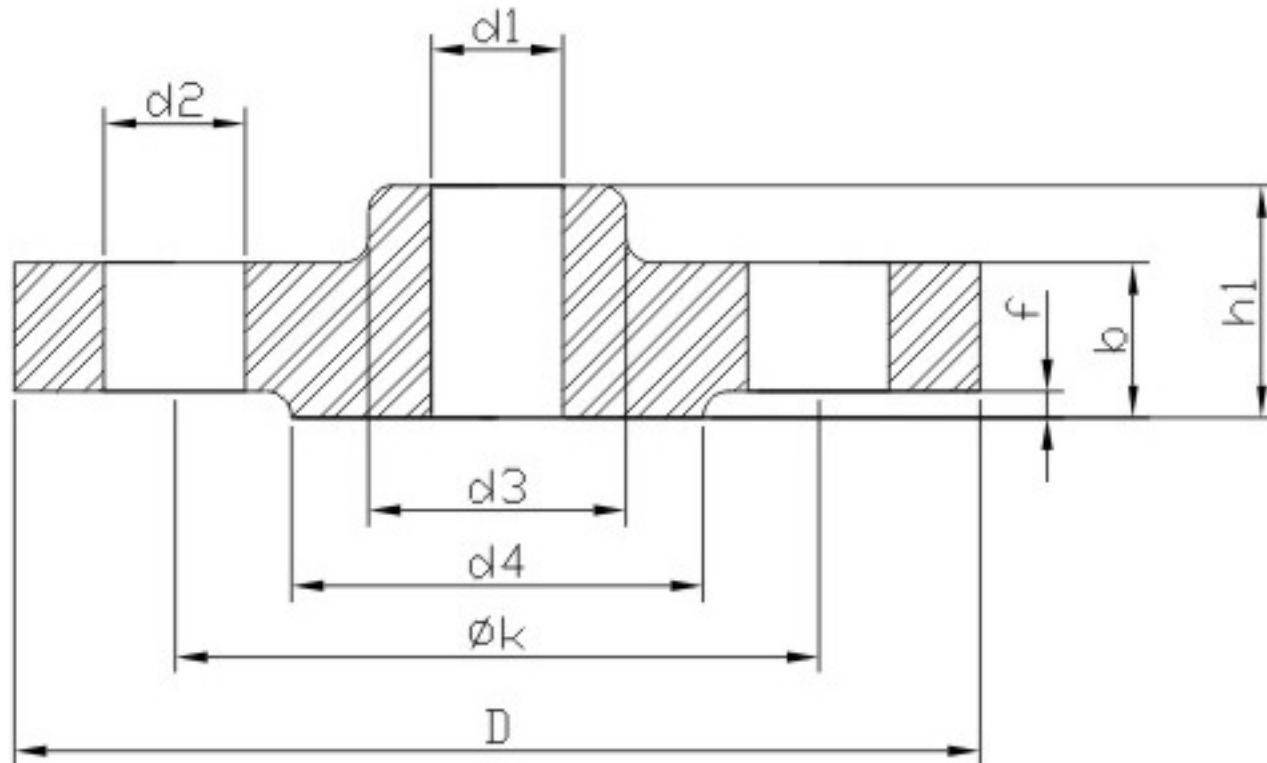


DIN 2566



Threaded Flange PN10 & PN16

Pipe Size	Flange Dimensions						Raised Face			Bolt Pattern		Weight	
Nominal	d_1	DIN 2999	D	b	k	h_1	d_3	d_4	f	Holes	Bolt Dia	d_2	lbs
6	10.2	R 1/8	75	12	50	18	20	32	2	4	M 10	11	0.72
8	13.5	R 1/4	80	12	55	18	25	38	2	4	M 10	11	0.84
10	17.2	R 3/8	90	14	60	20	30	40	2	4	M 12	14	1.20
15	21.3	R 1/2	95	14	65	20	35	45	2	4	M 12	14	1.35
20	26.9	R 3/4	105	16	75	24	45	58	2	4	M 12	14	2.01
25	33.7	R 1	115	16	85	24	52	68	2	4	M 12	14	2.43
32	42.4	R 1 1/4	140	16	100	26	60	78	2	4	M 16	18	3.53
40	48.3	R 1 1/2	150	16	110	26	70	88	3	4	M 16	18	3.92
50	60.3	R 2	165	18	125	28	85	102	3	4	M 16	18	5.36
65	76.1	R 2 1/2	185	18	145	32	105	122	3	4	M 16	18	7.01
80	88.9	R 3	200	20	160	34	118	138	3	8	M 16	18	9.08
100	114.3	R 4	220	20	180	38	140	158	3	8	M 16	18	9.85